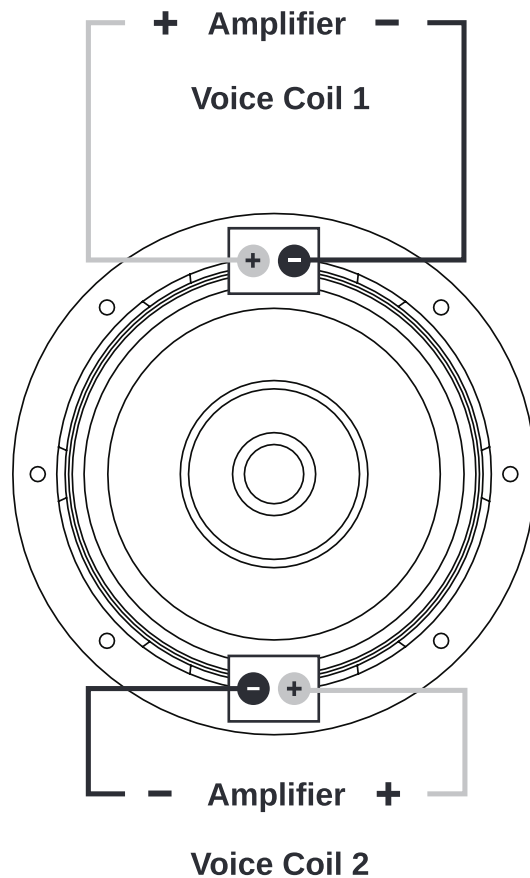
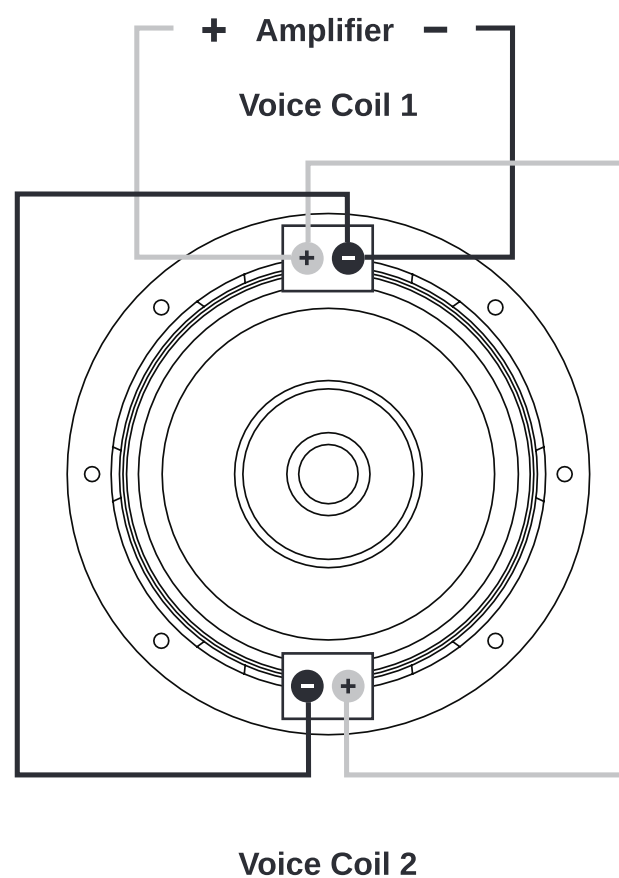


WIRING DIAGRAM (Connection Diagram)

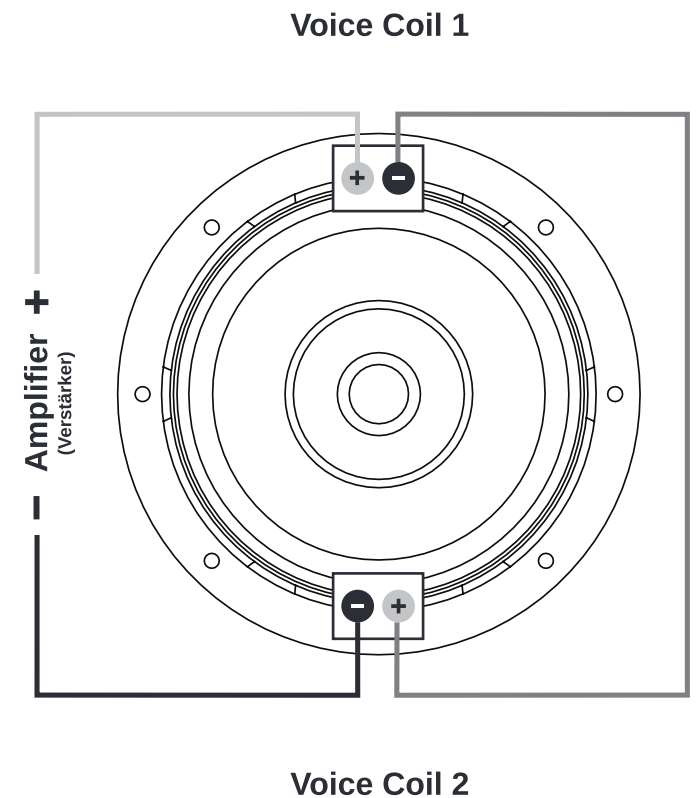
Standard
2 + 2 Ohm



Parallel
1 Ohm



Serial
4 Ohm



SPECIFICATIONS

(Technische Daten)

	RMS W	MAX W	NOM. IMP. Ohm	OUTER DIAMETER mm	MOUNTING HOLE mm	MOUNTING DEPTH mm	Xmax +/- max. mm	SD cm ²	Mms g	Re Ohm	Fs Hz	Qms	Qes	Qts	VAS L	SPL dB/2,83V/1m	Le mH	VC mm
MG8	300	600	2 + 2	221	185	138	19	207	75,6	2 x 1,8	46	3,89	0,49	0,44	9,5	88	1,5	50
MG10	500	1000	2 + 2	276	240	162	20	339	130	2 x 1,8	32	3,89	0,56	0,49	31,5	88	1,6	62
MG12	700	1400	2 + 2	324	285	181	22	531	174	2 x 1,8	30	3,28	0,46	0,40	87,5	91	1,8	76

RECOMMENDED ENCLOSURE DESIGN

(Empfohlenes Gehäusedesign)

	SEALED ENCLOSURE	VENTED ENCLOSURE (Bassreflex-Gehäuse)						NOTE: The volume we recommend is the absolute net internal volume of the enclosure. If space permits, it is better to increase the enclosure volume by approx. 10-15%. Then the suppression of the bass and the reflex channel is optimally taken into account.
		VOLUME Vb L	-3dB FREQ. F3 Hz	TUNING FREQ. Fb Hz	PORT Ø cm	PORT SURFACE cm ²	PORT LENGTH cm	
MG8	8 - 15	MG8	18	38	46	8	50	32
MG10	18 - 30	MG10	32	32	38	9	64	33
MG12	20 - 35	MG12	50	31	35	10	80	29

Options for returning old devices

Owners of old devices from private households can collect them free of charge at the collection points of the public waste disposal authorities or at the collection points set up by manufacturers or distributors in accordance with the ElektroG hand over. Stores with a sales area of at least 400 m² for electrical and electronic equipment as well as those grocery stores with a total sales area of at least 800 m² that are sold several times a year are subject to take-back Offer electrical and electronic equipment annually or permanently and make it available on the market. This also applies to sales using means of long-distance communication if the storage and shipping areas are for electrical and electronic equipment be at least 400 m² or the total storage and shipping areas are at least 800 m². Distributors can generally take back items using suitable return options within a reasonable distance from the respective location to ensure end users. The possibility of returning an old device free of charge exists for distributors who are obliged to take it back, among other things, if a new device of the same type that essentially has the same functions fulfilled, is passed on to an end user. If a new device is delivered to a private household, the old device of the same type can also be handed over there for collection free of charge; This applies to sales using The use of long-distance communication devices for devices in categories 1, 2 or 4 in accordance with Section 2 Paragraph 1 ElektroG, namely "heat exchangers", "screen devices" or "large devices" (the latter with at least one external dimension over 50 centimeters). To end users are asked about their intention to return when concluding a purchase contract. There is also the option of returning it free of charge to the distributor's collection points, regardless of purchasing a new one Device for old devices that are not larger than 25 centimeters in any external dimension, limited to three old devices per type of device.



Meaning of the "crossed-out trash can" symbol

This is indicated by the symbol of a crossed-out garbage can, which is regularly shown on electrical and electronic devices point out that the respective device must be collected separately from unsorted municipal waste at the end of its service life.